

R&S®CMW100 Communications Manufacturing Test Set

Universal non-signaling test set incl. 5G NR at sub 6 GHz

Test challenge

The R&S®CMW100 communications manufacturing test set is a new trendsetting product for calibrating and verifying various kinds of communications devices.

Test solution

- Frontend with 8 bidirectional and full duplex ports (multi-DUT handling made simple)
- Continuous frequency range from 70 MHz to 6 GHz
- High accuracy
 - Generator ± 0.6 dB.
 - Analyzer ± 0.5 dB.
- Dust protection – passive cooling, no ventilator so no dust build-up
- Smart channel – high efficiency through parallel testing

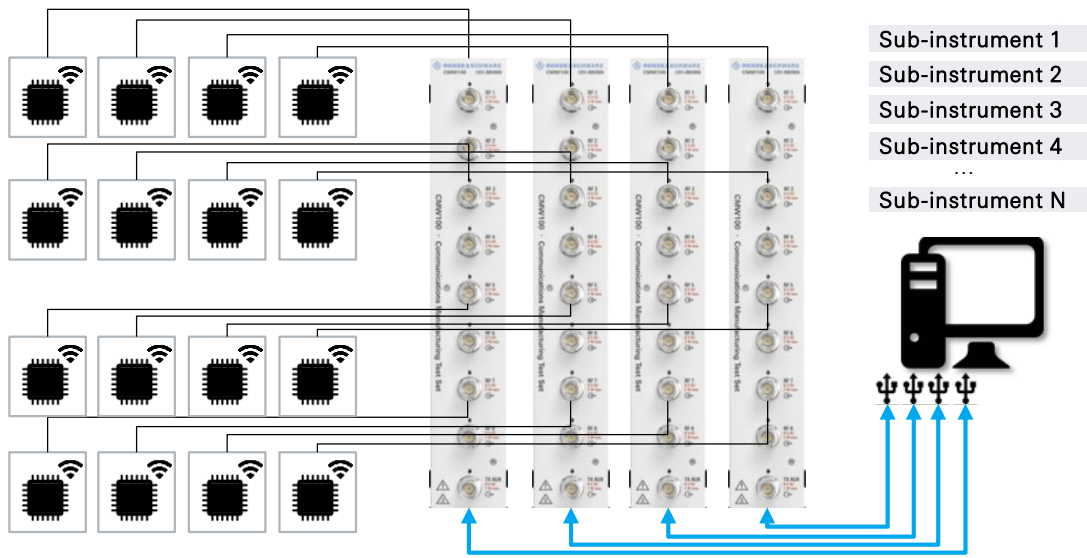


R&S®CMW100 communications manufacturing test set

Your benefit	Features
Receiver and transmitter testing	<ul style="list-style-type: none"> ■ Continuous frequency range up to 6 GHz, multitechnology solution ■ Parallel testing on up to eight RF ports ■ High measurement performance
Features	<ul style="list-style-type: none"> ■ RF generator signal is split and forwarded to 8 output ports ■ Every output can be switched off separately ■ Collective output level setting for connectors RF 1 to RF 8 ■ Frequency-dependent attenuation (FDA) for each connector ■ Smart channel – multi-DUT handling made simple ■ Dust protection

► For more information, visit www.rohde-schwarz.com/product/cmw100

Smart channel – scalability and flexibility



R&S®CMW100: multiplex function for multi-DUT handling, frontend with 8 bidirectional and full duplex ports

Technologies	Features
Cellular technologies	5G NR at sub 6 GHz LTE-A C-V2X WCDMA/HSPA+ GSM/GPRS/EGPRS CDMA2000 (1xRTT/1xEV-DO) TD-SCDMA
Non-cellular technologies	WLAN IEEE802.11 a/b/g/n/p/ac/ax Bluetooth® up to 5.1
IoT technologies	IEEE802.15.4 (Zigbee) LoRa SigFox CAT M1 NB-IoT
GNSS technologies	GPS BeiDou GLONASS Galileo
Broadcasting technologies	DVB-T T-DMB CMMB

Compact, innovative testing



Smart channel

Multitechnology

Silent

Dust protection

R&S®CMW100: passive cooling, no ventilator – silent and no dust inside

Solutions



IoT



Telematics



Smart factory



Smart home



Healthcare



Smart city